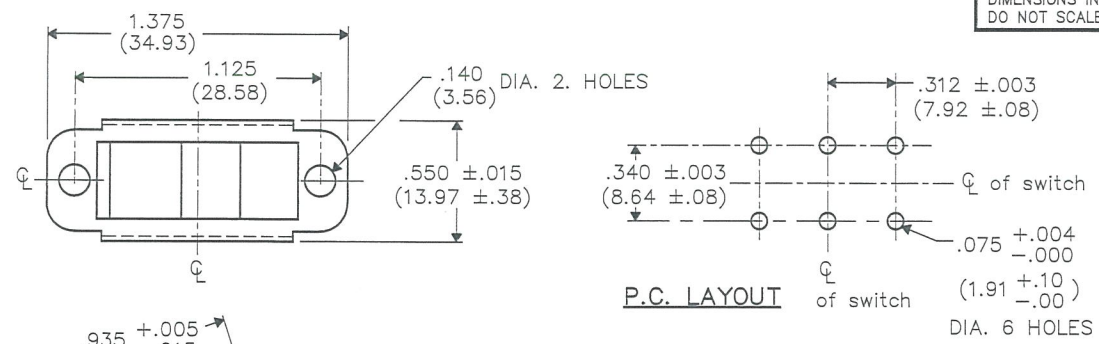


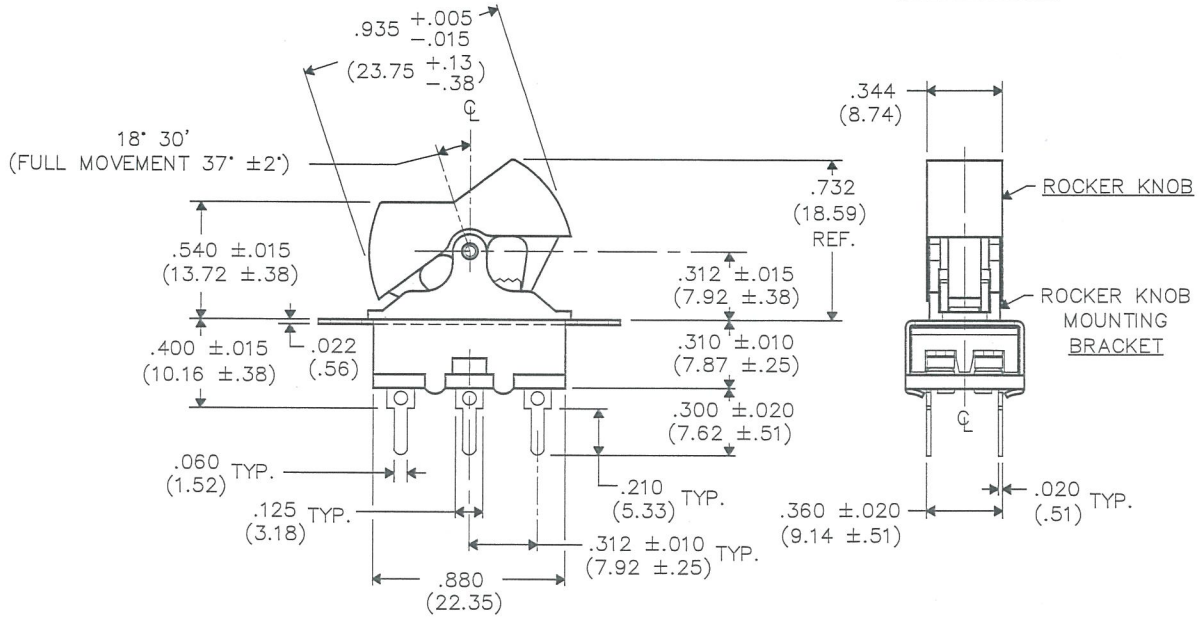
THIS INFORMATION IS CONFIDENTIAL AND PROPRIETARY TO CW INDUSTRIES INCORPORATED AND ITS AFFILIATES. IT MAY NOT BE DISCLOSED TO ANYONE OTHER THAN CW INDUSTRIES PERSONNEL, WITHOUT WRITTEN AUTHORIZATION FROM CW INDUSTRIES INCORPORATED, SOUTHAMPTON, PENNSYLVANIA USA.

DIMENSIONS IN INCHES (MILLIMETERS)  
 DO NOT SCALE DRAWING .....  
 Dwg. No. **GR5-326-XXXX**



**MATERIALS:**  
 Housing- C.R.S./Zinc Plated  
 Button- Nylon 6/6  
 Moving & Stationary Contacts- Copper Alloy/Silver Plated

UL Listed  
 Ratings: 3A. A.C. 125V



-XXXX	ROCKER KNOB COLOR
-0889	ORANGE-300
-0890	BLUE-600
-0891	RED-200
-0892	WHITE-903
-0893	YELLOW-404
-0894	ORANGE-304
-0895	GREEN-505
-0896	BLACK-000

B-FORMAT 2002  
**REVISIONS**  
 RELEASED: DGW 7-01-13  
 Jul. 02, 2013  
 Redrawn. Updated chart with dash #'s & added -0894, -0895 & -0896. **APR 26 2022**  
 DGW *[Signature]* 4/26/22

1	2	3	4	5	6	7	8	9	10
---	---	---	---	---	---	---	---	---	----

**CW INDUSTRIES**  
 Southampton, Pa. 18966

**TOLERANCES UNLESS OTHERWISE SPECIFIED**  
 2 Place Decimal ±.010 METRIC  
 3 Place Decimal ±.005 1 Place Dec. ±.25mm  
 Angles ..... ±1' 2 Place Dec. ±.13mm

Made for: CW IND.  
 Drawn by: DGW 7-01-13  
 Checked by: *G. GULD 4-26-22*  
 Approval: *[Signature] 4/26/22*

Title: **SWITCH ASSEMBLY D.P.- D.T.**  
 Division: **SWITCH**  
 Dwg. No. **GR5-326-XXXX**

MASTER