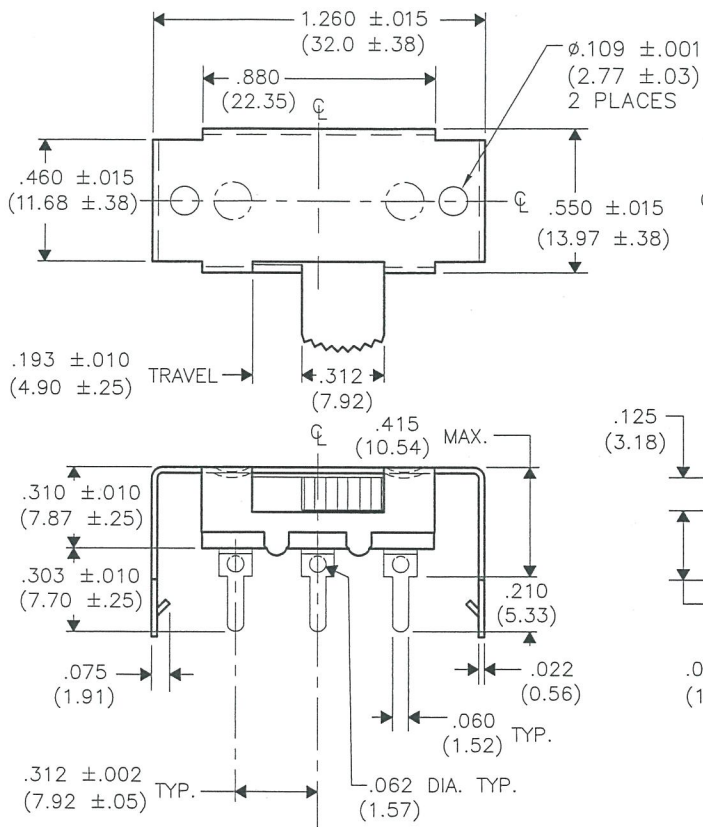


THIS INFORMATION IS CONFIDENTIAL AND PROPRIETARY TO CW INDUSTRIES INCORPORATED AND ITS AFFILIATES. IT MAY NOT BE DISCLOSED TO ANYONE, OTHER THAN CW INDUSTRIES PERSONNEL, WITHOUT WRITTEN AUTHORIZATION FROM CW INDUSTRIES INCORPORATED, SOUTHAMPTON, PENNSYLVANIA USA.

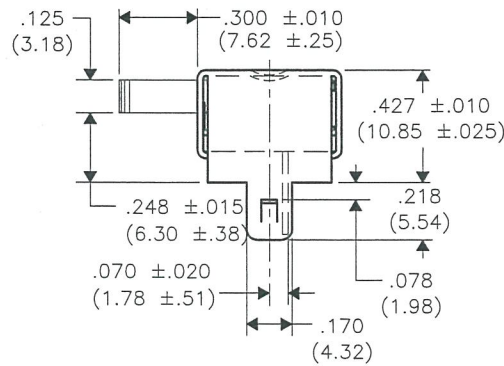
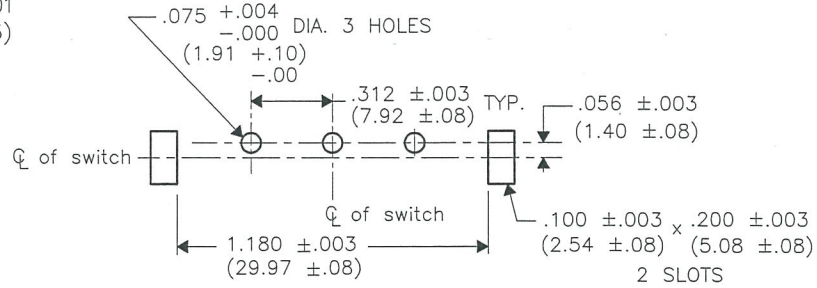
DIMENSIONS IN INCHES (MILLIMETERS)
DO NOT SCALE DRAWING

Dwg. No.
GG-372-0006

E
D
C
B
A



P.C. LAYOUT



1 2 3 4 5 6 7 8 9 10

B-FORMAT 2002	REVISIONS	0
	RELEASED: DGW 4-18-16 APR 18 2016	

PDF MADE	CW INDUSTRIES Southampton, Pa. 18966	Title: SWITCH ASSEMBLY S.P.D.T. (SYDEWYNDER)	
	TOLERANCES UNLESS OTHERWISE SPECIFIED		
	2 Place Decimal ±.010 METRIC		1 Place Dec. ±.25mm
	3 Place Decimal ±.005		2 Place Dec. ±.13mm
Made for: CW IND.	Division: SWITCH		
Drawn by: DGW 4-18-16	Dwg. No. GG-372-0006		
Checked by: <i>G. GULD 4-18-16</i>			
Approval: <i>G. GULD 4-18-16</i>			

MASTER