

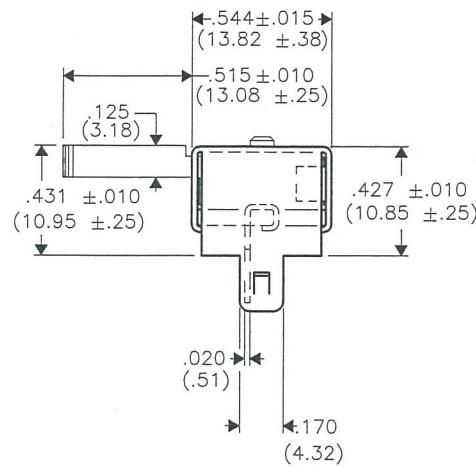
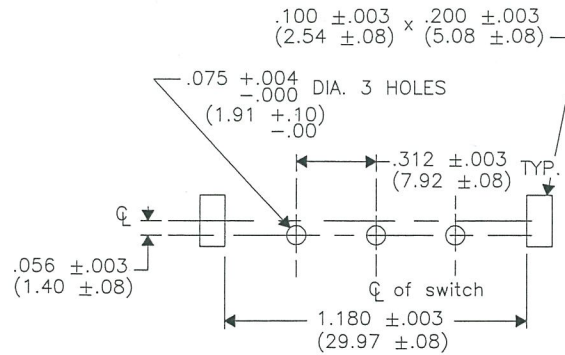
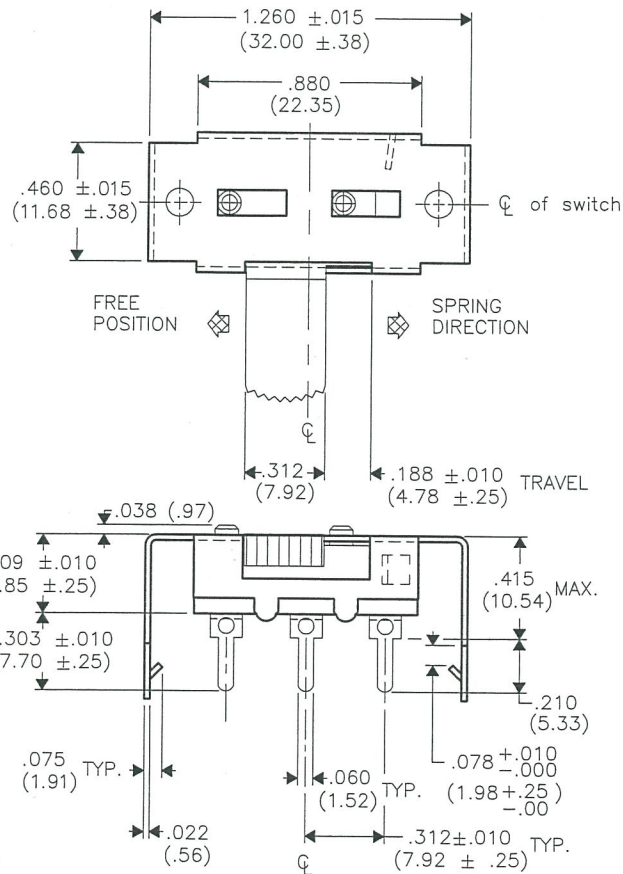
THIS INFORMATION IS CONFIDENTIAL AND PROPRIETARY TO CW INDUSTRIES INCORPORATED AND ITS AFFILIATES. IT MAY NOT BE DISCLOSED TO ANYONE, OTHER THAN CW INDUSTRIES PERSONNEL, WITHOUT WRITTEN AUTHORIZATION FROM CW INDUSTRIES INCORPORATED, SOUTHAMPTON, PENNSYLVANIA USA.

F
D
C
B
A

DIMENSIONS IN INCHES (MILLIMETERS)
DO NOT SCALE DRAWING

Dwg. No.
GG-355-0000

P.C. LAYOUT



1 2 3 4 5 6 7 8 9 10

B-FORMAT 2002

REVISIONS

0
 RELEASED: DGW 4-18-16
 APR 18 2016

CW INDUSTRIES
Southampton, Pa. 18966

TOLERANCES UNLESS OTHERWISE SPECIFIED:
 2 Place Decimal ±.010 METRIC
 3 Place Decimal ±.005 1 Place Dec. ±.25mm
 Angles ±1' 2 Place Dec. ±.13mm

Made for: CW IND.
 Drawn by: DGW 4-18-16
 Checked by: G. GULD 4-18-16
 Approval: G. GULD 4-18-16

Title: SWITCH ASSEMBLY
 S.P.- D.T.
 SPRING RETURN

Division: SWITCH
 Dwg. No. GG-355-0000

MASTER