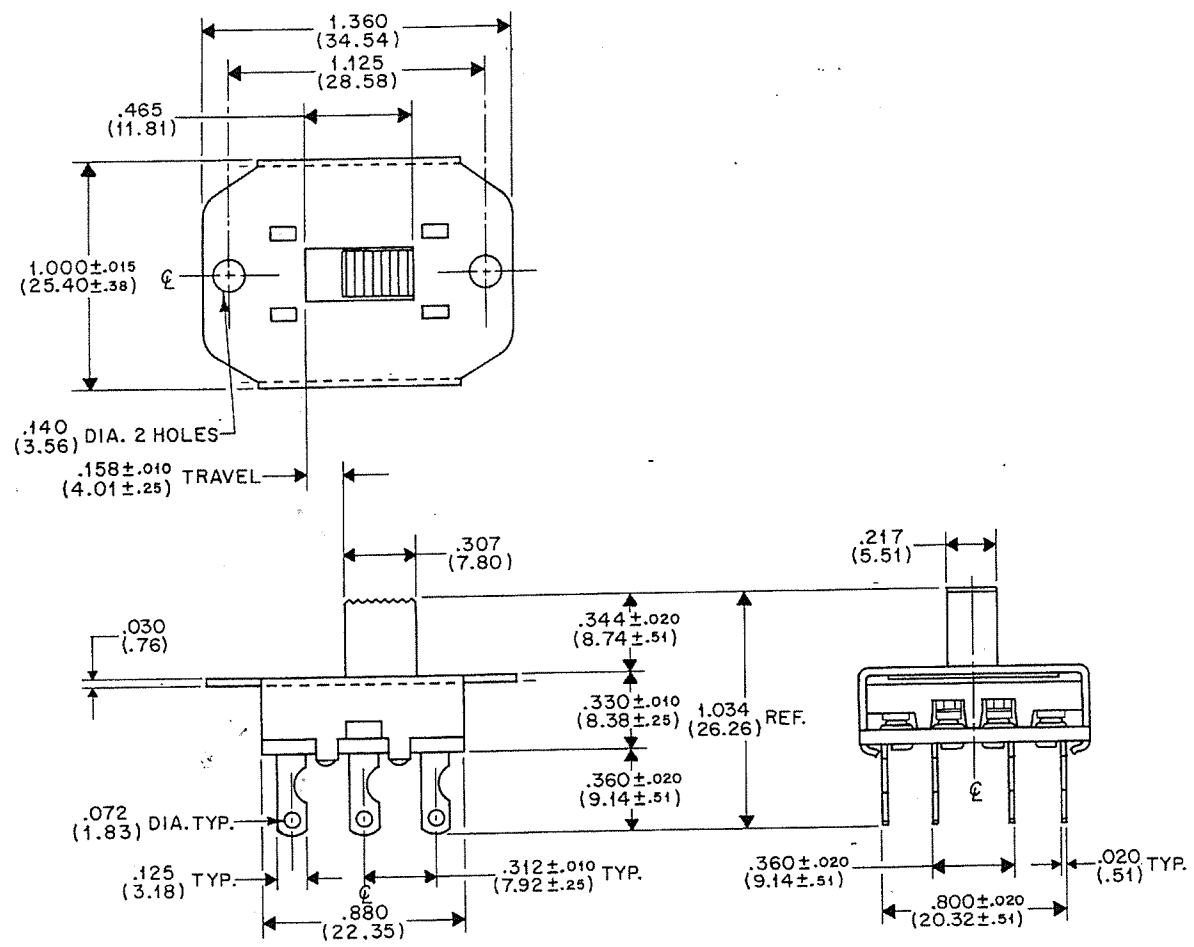


DRAWING NUMBER
GF-342-0000

NOTE:
DIMENSIONS IN () ARE IN MILLIMETERS.



REVISIONS

ATTENTION

THIS DRAWING AND ITS ATTACHMENT, IF ANY, ARE PROPRIETARY TO CW INDUSTRIES AND DESCRIBE DESIGNS THAT ARE CONFIDENTIAL AND MUST NOT BE DISCLOSED UNLESS AUTHORIZED, IN WRITING, BY AN OFFICER OF CW INDUSTRIES.....

PDF File Made

METRIC TOLERANCES UNLESS OTHERWISE SPECIFIED

ONE PLACE DECIMAL
+ OR - .25 MM

TWO PLACE DECIMAL
+ OR - .13 MM

CW INDUSTRIES
WARMINSTER, PA. 18974

TOLERANCES UNLESS OTHERWISE SPECIFIED

2 PLACE DECIMAL — ± 0.010
3 PLACE DECIMAL — ± 0.005
ANGLES — ± 1°
FRACTIONS — ± 1/64

MADE FOR

DRAWN BY **Leo Webber** DATE 3-14-80

CHECKED BY _____ DATE _____

ENG. APPR. _____ DATE _____

SWITCH

DIVISION

SWITCH ASSEMBLY
4 P - D.T.

GF-342-0000

DRAWING NUMBER