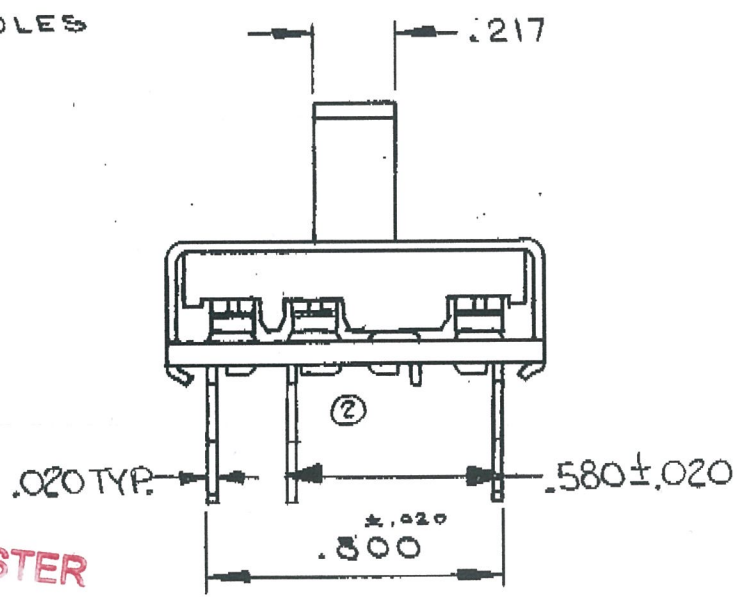
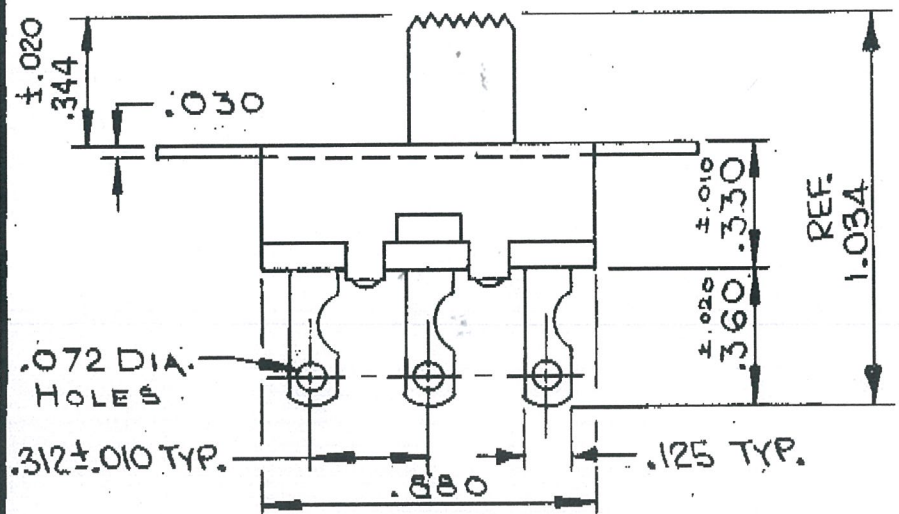
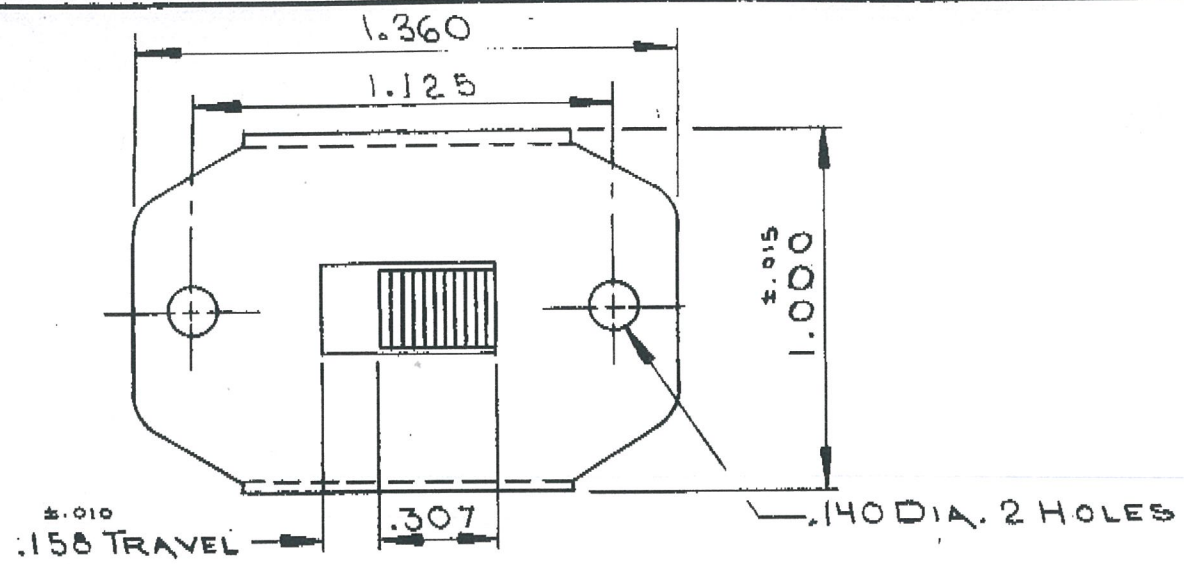


G-378A-0000



MASTER

ALL SCREW THREADS TO BE CLASS 2 FIT (AMERICAN STANDARDS) UNLESS OTHERWISE SPECIFIED. DIMENSIONS ARE IN INCHES. DO NOT SCALE DRAWING.

REVISIONS	0	1	2
ENG. AP.			
REVISED END VIEW TO SHOW SPRING LOCATED IN CORRECT LOCATION			
NOV 11 - 58 1976			
REVISED END VIEW			
T.L. 7-11-78			
JUL 11 1978			

ATTENTION
 THIS DRAWING AND ITS ATTACHMENT, IF ANY, ARE PROPRIETARY TO CW INDUSTRIES AND DESCRIBE DESIGNS THAT ARE CONFIDENTIAL AND MUST NOT BE DISCLOSED UNLESS AUTHORIZED, IN WRITING, BY AN OFFICER OF CW INDUSTRIES.....

VARIATIONS ON FINISHED DIMENSIONS UNLESS OTHERWISE MARKED		
BASIC DIMENSIONS	FRACTIONAL DIMENSIONS	DECIMAL DIMENSIONS
UP TO 6	± 1/64	± .005
ABOVE 6 TO 24	± 1/32	± .010
ABOVE 24	± 1/16	± .015
ANGULAR DIMENSIONS		± 1/2°

SLIDE SWITCH
3P-DT SPRING RETURN
 FIRST MADE FOR C-W
 DRAWN BY TOM LOVETT 2-2-76
 CHECKED BY

PDF File Made
Continental-Wirt Electronics Corp.
 PHILA., PA. 19144
G-378A-0000

ORIGINAL TRACING