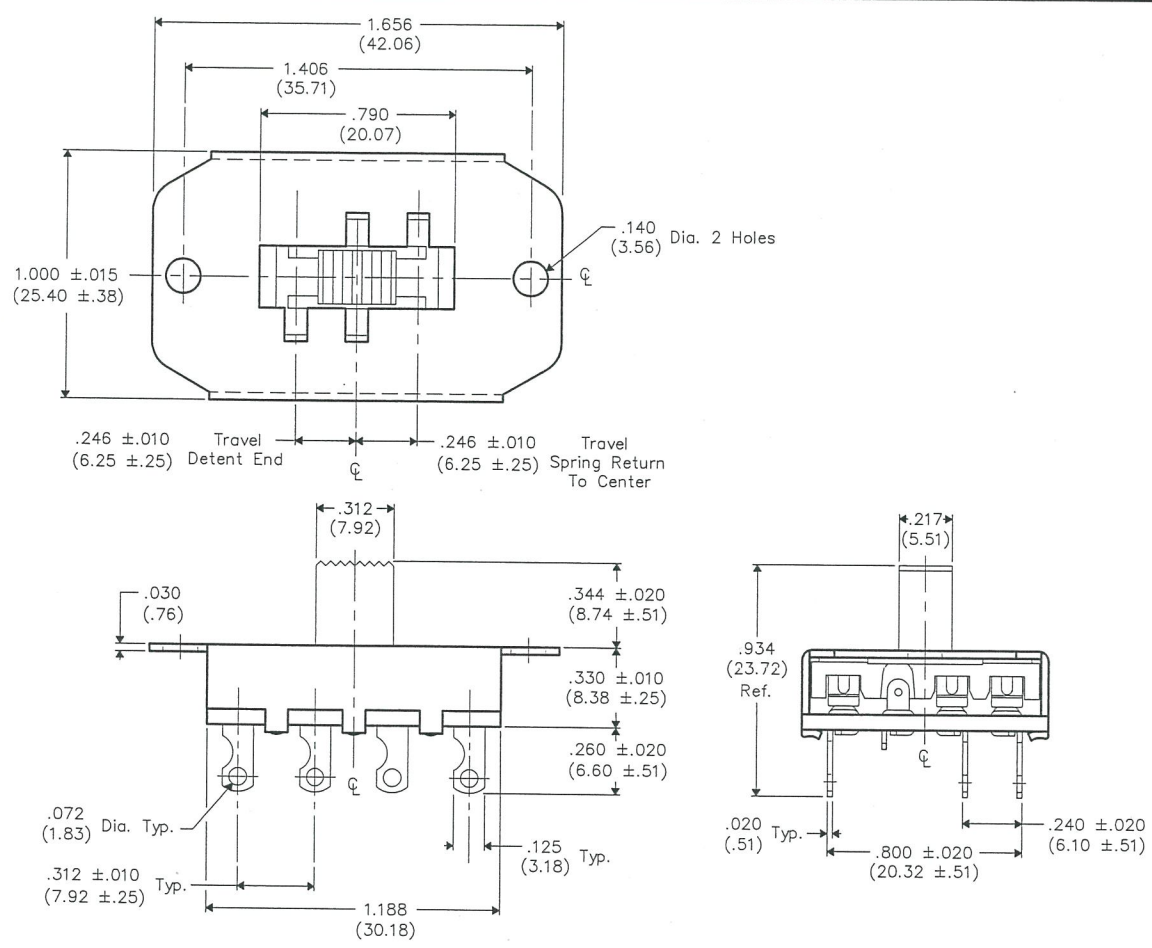


F
D
C
B
A

THIS INFORMATION IS CONFIDENTIAL AND PROPRIETARY TO CW INDUSTRIES INCORPORATED AND ITS AFFILIATES. IT MAY NOT BE DISCLOSED TO ANYONE, OTHER THAN CW INDUSTRIES PERSONNEL, WITHOUT WRITTEN AUTHORIZATION FROM CW INDUSTRIES INCORPORATED, SOUTHAMPTON, PENNSYLVANIA USA.

DIMENSIONS IN INCHES (MILLIMETERS)
DO NOT SCALE DRAWING
Dwg. No. G-337S-0000



B-FORMAT 2002	REVISIONS	0	1	2	3	4	5	6	7	8	9	10
RELEASED	DWG	4-12-16										
		AT 10 2016										

PDF MADE	CW INDUSTRIES Southampton, Pa. 18966	Title: MOMENTARY SLIDE SWITCH 3P.- 3 POS.
	TOLERANCES UNLESS OTHERWISE SPECIFIED	SPRING RETURN ONE END TO CENTER DETENT TO OTHER END TO CENTER
	2 Place Decimal ±.010 METRIC 3 Place Decimal ±.005 1 Place Dec. ±.25mm Angles ±1' 2 Place Dec. ±.13mm	Division: SWITCH
	Made for: CW IND. Drawn by: DGW 4-12-16 Checked by: <i>B. Guld 4-18-16</i> Approval: <i>B. GULD 4-18-16</i>	Dwg. No. G-337S-0000

MASTER