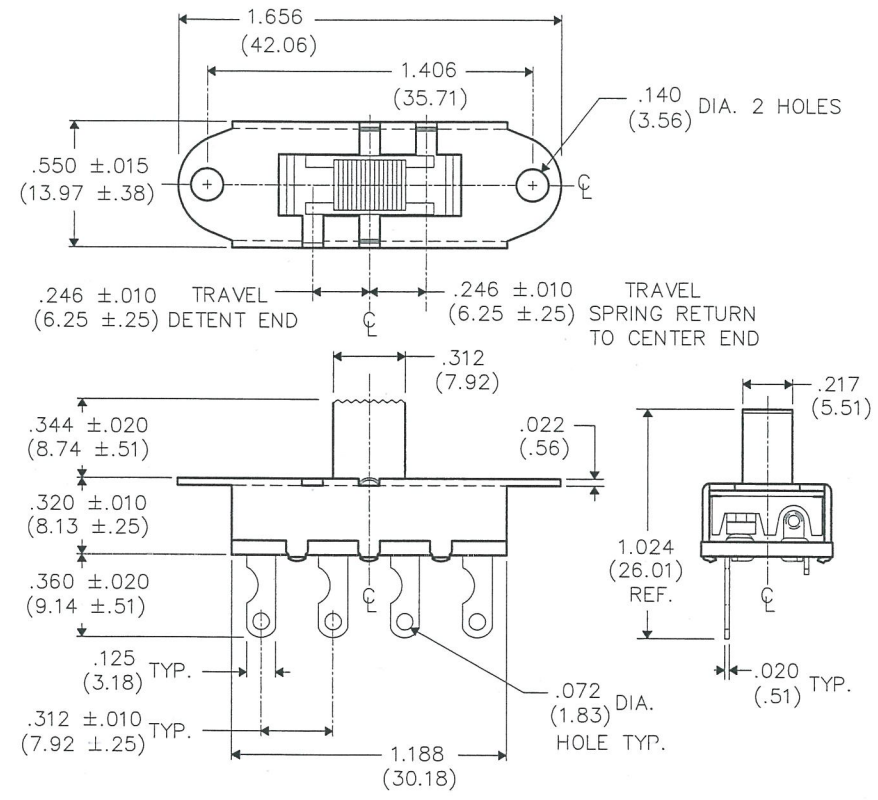


THIS INFORMATION IS CONFIDENTIAL AND PROPRIETARY TO CW INDUSTRIES INCORPORATED AND ITS AFFILIATES. IT MAY NOT BE DISCLOSED TO ANYONE OTHER THAN CW INDUSTRIES PERSONNEL, WITHOUT WRITTEN AUTHORIZATION FROM CW INDUSTRIES INCORPORATED, SOUTHAMPTON, PENNSYLVANIA USA.

DIMENSIONS IN INCHES (MILLIMETERS)  
DO NOT SCALE DRAWING .....

Dwg. No.  
**G-333S-0000**



1	2	3	4	5	6	7	8	9	10
---	---	---	---	---	---	---	---	---	----

B-FORMAT 2002	<b>REVISIONS</b>	O
	RELEASED. DGW 2-16-2016	APR 12 2016

PDF MADE	<b>CW INDUSTRIES</b> Southampton, Pa. 18966	Title: <b>SLIDE SWITCH ASSEMBLY</b>
	TOLERANCES UNLESS OTHERWISE SPECIFIED	S.P. - 3 POS.
	2 Place Decimal ±.010 METRIC	2 Place Dec. ±.25mm
	3 Place Decimal ±.005	2 Place Dec. ±.13mm
	Angles ..... ±1°	
Made for: CW IND.	Division: <b>SWITCH</b>	
Drawn by: DGW 2-16-2016	Dwg. No. <b>G-333S-0000</b>	
Checked by: <i>B. GULD 2-17-16</i>		
Approval: <i>G. GULD 2-17-16</i>		

MASTER