

DIMENSIONS IN INCHES (MILLIMETERS)
DO NOT SCALE DRAWING

Dwg. No.

CWR-210-XX-0000

NOTES:

1. Dimensions are in inches; dimensions in () are in millimeters.
2. Metric equivalents are given for general information only, and are based upon 1.00 inches equals (25.4) millimeters.
3. Unless otherwise specified, tolerance are ± 0.005 (± 0.13) for three place decimals, and ± 0.01 (± 0.3) for two place decimals.
4. Polarization rib slot (RS-2) omitted in size 10 and 14 connectors.

MATERIALS:

PLASTIC PARTS - UL94V-0 Flame Retardant Thermoplastic.
COLOR - Blue.

CONTACTS - Phosphor Bronze Alloy.

CONTACT PLATING - Selective gold plating .000010(min.) gold over .000050 nickel in mating area, and gold flash over .000050 nickel in remaining area.

STRAIN RELIEF COVER - Plastic coated (blue) no. 301 Stainless Steel.

OPERATING STANDARDS:

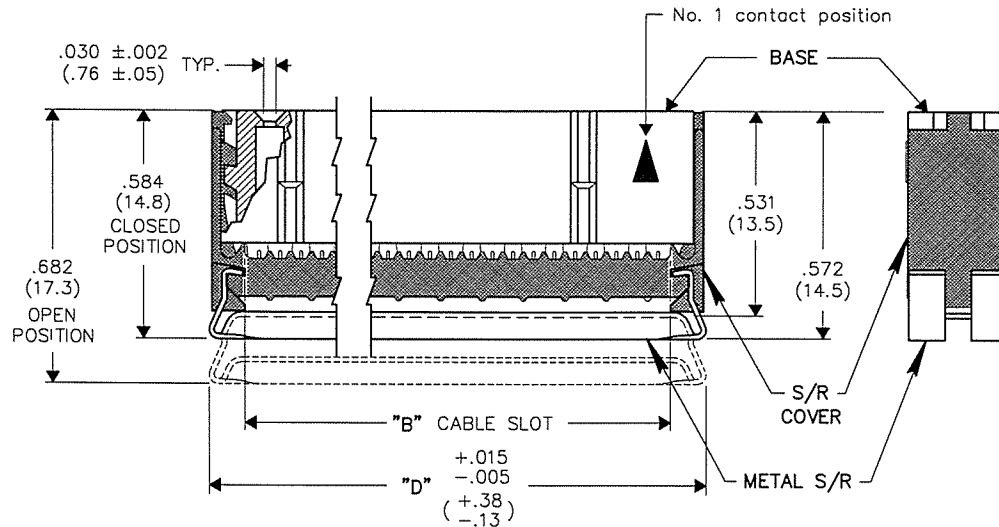
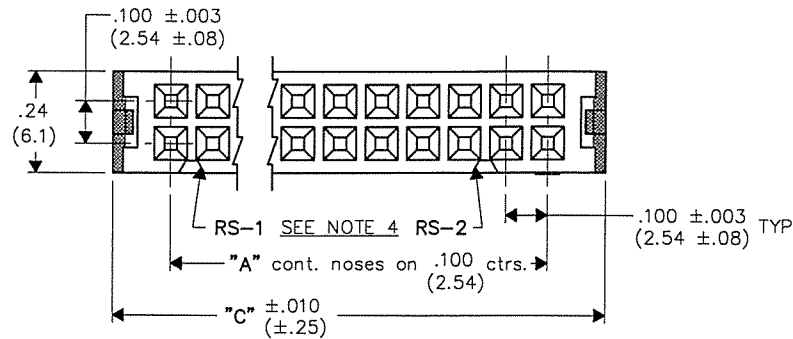
TEMPERATURE RATING - 125°C.

CONTACT RATING - 1 ampere.

DIELECTRIC STRENGTH - Over 500 v.d.c. at sea level.

CONDUCTORS ACCEPTED - 28-30 AWG solid or stranded.

CONNECTOR DIMENSIONS				
XX CONTS.	A	B	C	D
10	.400 (10.16)	.515 (13.08)	.677 (17.20)	.690 (17.53)
14	.600 (15.24)	.715 (18.16)	.877 (22.28)	.890 (22.61)
16	.700 (17.78)	.815 (20.70)	.977 (24.82)	.990 (25.15)
20	.900 (22.86)	1.015 (25.78)	1.177 (29.90)	1.190 (30.23)
26	1.200 (30.48)	1.315 (33.40)	1.477 (37.52)	1.490 (37.85)
34	1.600 (40.64)	1.715 (43.56)	1.877 (47.68)	1.890 (48.01)
40	1.900 (48.26)	2.015 (51.18)	2.177 (55.30)	2.190 (55.63)
50	2.400 (60.96)	2.515 (63.88)	2.677 (68.00)	2.690 (68.33)
60	2.900 (73.66)	3.015 (76.58)	3.177 (80.70)	3.190 (81.03)



CUSTOMER DWG.

FORM-B2
REVISIONS
0
RELEASED
DGW 4-18-96
MAY 1 1996

CW INDUSTRIES
Southampton, Pa. 18966

Title: **SOCKET CONNECTOR**
.100" x .100" CENTERS
(.050" CENTER FLAT CABLE)
PLASTIC COVER - METAL S/R
NO KEYING

TOLERANCES UNLESS OTHERWISE SPECIFIED
2 Place Decimal ± 0.010 METRIC
3 Place Decimal ± 0.005 1 Place Dec. $\pm .25$ mm
Angles $\pm 1^\circ$ 2 Place Dec. $\pm .13$ mm

Made for: CW IND.
Division: CONNECTOR

ID. No: CDN0013A
Drawn by: DGW 4-18-96
Checked by: G. GUL 4-30-96
Approved: G. Gul 5-1-96

Dwg. No.
CWR-210-XX-0000