

THIS INFORMATION IS CONFIDENTIAL AND PROPRIETARY TO CW INDUSTRIES INCORPORATED AND ITS AFFILIATES. IT MAY NOT BE DISCLOSED TO ANYONE OTHER THAN CW INDUSTRIES PERSONNEL, WITHOUT WRITTEN AUTHORIZATION FROM CW INDUSTRIES INCORPORATED, SOUTHAMPTON, PENNSYLVANIA USA.

DIMENSIONS IN INCHES (MILLIMETERS)
DO NOT SCALE DRAWING

Dwg. No.
CWR-170-XX-0021

NOTES:

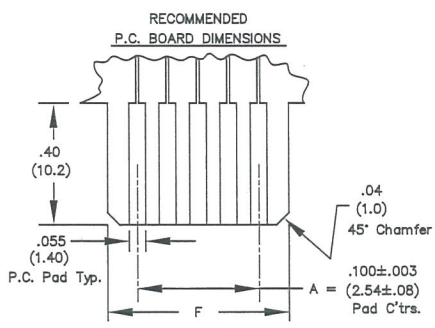
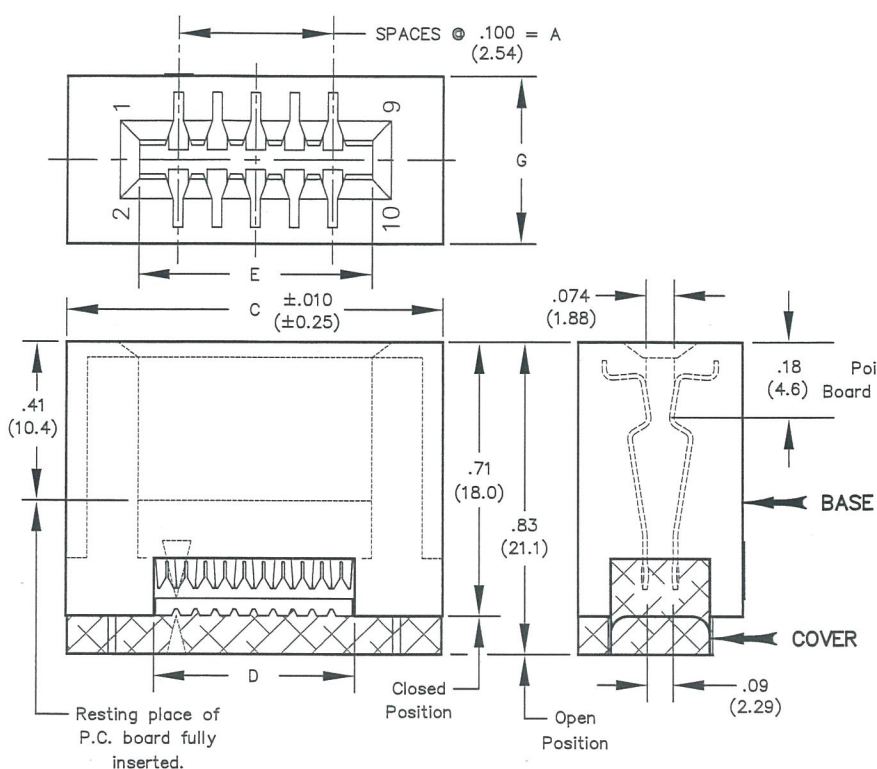
1. Dimensions are in inches; dimensions in () are in millimeters.
2. Metric equivalents given for general information only, and are based upon 1.00 inches = (25.4) millimeters.
3. Unless otherwise specified, tolerances are ± 0.005 (.13) for three place decimals, and ± 0.01 (.3) for two place decimals.

MATERIALS:

- PLASTIC PARTS - UL94V-0 thermoplastic (blue, standard) flame retardant.
- CONTACTS - Phosphor bronze.
- CONTACT PLATING- .000030 Gold over .000050 Nickel, Std.

OPERATING STANDARDS:

- TEMPERATURE RATING - 125° C
- CONTACT RATING - 1 ampere.
- DIELECTRIC STRENGTH - Over 500 V.D.C. at sea level.
- CONDUCTORS ACCEPTED - 28-30 AWG solid or stranded.



CONNECTOR DIMENSIONS						
NO. CONTS.	A	C	D	E	F	G
10	.400 (10.16)	.976 (24.79)	.520 (13.21)	.604 (15.34)	.596 (15.14)	.43 (10.9)
20	.900 (22.86)	1.476 (37.49)	1.020 (25.91)	1.104 (28.04)	1.096 (27.84)	.43 (10.9)
26	1.200 (30.48)	1.776 (45.11)	1.320 (33.53)	1.404 (35.66)	1.396 (35.46)	.43 (10.9)
34	1.600 (40.64)	2.176 (55.27)	1.720 (43.69)	1.804 (45.82)	1.796 (45.62)	.43 (10.9)
40	1.900 (48.26)	2.476 (62.89)	2.020 (51.31)	2.104 (53.44)	2.096 (53.24)	.43 (10.9)
50	2.400 (60.96)	2.976 (75.59)	2.520 (64.01)	2.604 (66.14)	2.596 (65.94)	.44 (11.2)

CUSTOMER DRAWING

1	2	3	4	5	6	7	8	9	10									
<p style="writing-mode: vertical-rl; transform: rotate(180deg);">B-FORMAT 2002</p> <p style="writing-mode: vertical-rl; transform: rotate(180deg);">REVISIONS</p> <p style="writing-mode: vertical-rl; transform: rotate(180deg);">RELEASED: DGW 7/29/21</p> <p style="writing-mode: vertical-rl; transform: rotate(180deg);">DATE: 2.9.2021</p>							<p>Southampton, Pa. 18966</p> <p>TOLERANCES UNLESS OTHERWISE SPECIFIED</p> <table style="font-size: small;"> <tr> <td>2 Place Decimal ± 0.10</td> <td>METRIC</td> </tr> <tr> <td>3 Place Decimal ± 0.005</td> <td>1 Place Dec. ± 0.25mm</td> </tr> <tr> <td>Angles $\pm 1^\circ$</td> <td>2 Place Dec. ± 0.13mm</td> </tr> </table> <p>Made for: CW IND.</p> <p>Drawn by: DGW 7/29/21</p> <p>Checked by: G. GULD 7-29-21</p> <p>Approval: [Signature] 7/29/21</p>			2 Place Decimal ± 0.10	METRIC	3 Place Decimal ± 0.005	1 Place Dec. ± 0.25 mm	Angles $\pm 1^\circ$	2 Place Dec. ± 0.13 mm	<p>Title: CARD EDGE CONNECTOR</p> <p>for .050 ctrs. rnd. cond. cable</p> <p>Division: CONNECTOR</p> <p>Dwg. No. CWR-170-XX-0021</p>		
2 Place Decimal ± 0.10	METRIC																	
3 Place Decimal ± 0.005	1 Place Dec. ± 0.25 mm																	
Angles $\pm 1^\circ$	2 Place Dec. ± 0.13 mm																	

MASTER